



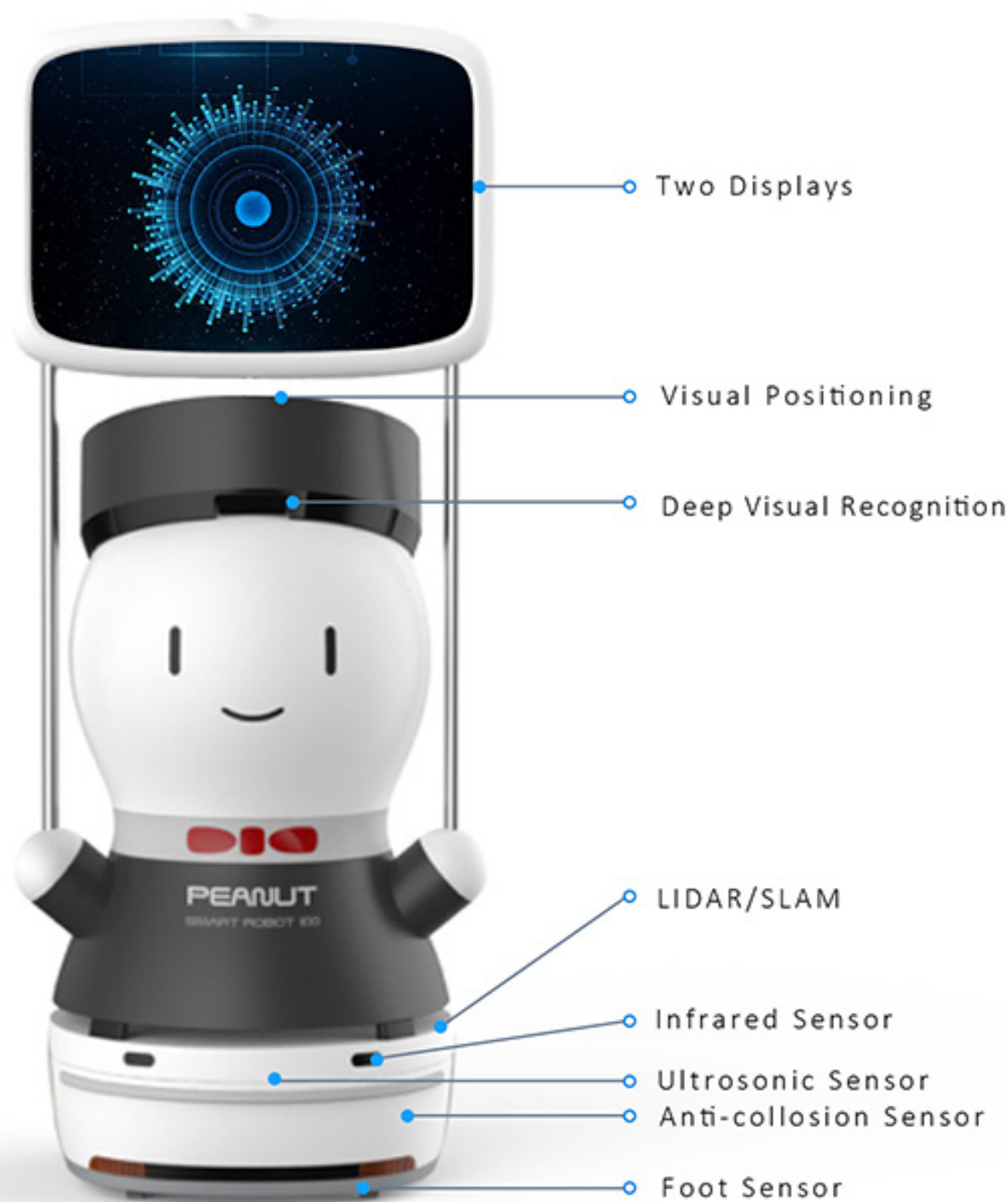
KEENON
ROBOTICS



PEANUT

Commercial Delivery Robot

The commercial guiding robot is the best partner to lead an accurate way for every customer. It makes an accurate guiding in the whist of displaying commercials. This guiding robot applies the best sensor technologies, LIDAR/SLAM/Infrared/sonar sensors, to realize autonomous and accurate path planning and navigation. The machine vision and deep visual recognition technologies are applied to guarantee precise obstacle avoidance. It also equips two 21.5" ads displays for commercial advertising. It can be an usher in the shopping mall, department store, hospital, convention center, exhibition and trade fair; also can be an expositor in the museum, art gallery, and science center etc.



FEATURES

- ▶ Accurate guiding and ushering.
- ▶ Autonomous navigation and positioning.
- ▶ Mapping and path planning.
- ▶ Automatic obstacle avoidance.
- ▶ Mobile advertising.
- ▶ Dedicated work, relentlessly and whole-heartedly.
- ▶ Long working hours.
- ▶ Never ask for salaries and allowances.

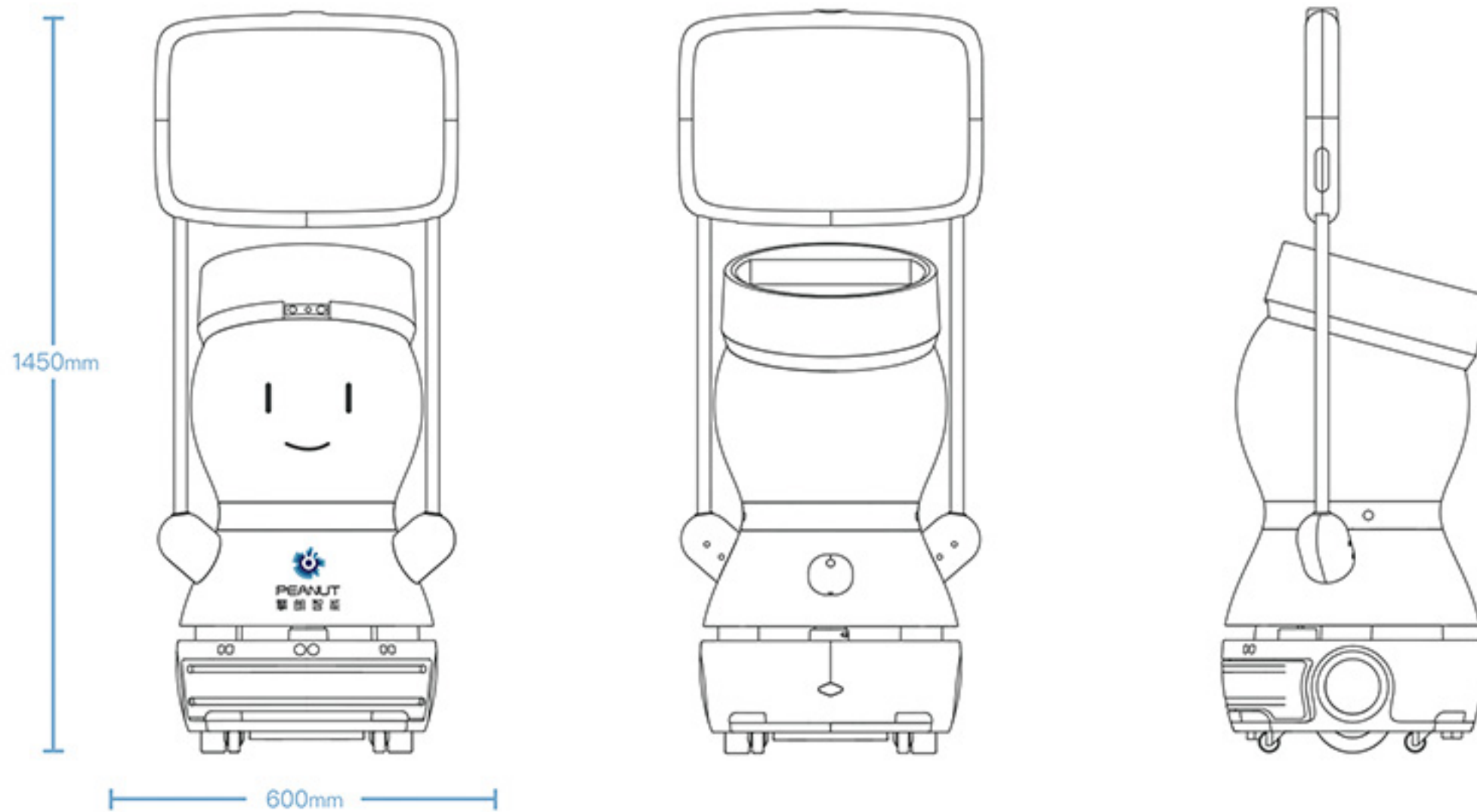
BENEFITS

- Reduce costs of laborer and management.
- Attract more eye catches.
- Increase customer interactions and experience.
- Low capital investment.
- Increase the working efficiency.
- Promote the social marketing of the business.

APPLICATIONS

shopping mall, department store, hospital, convention center, exhibition, trade fair, municipal services, bank, museum, art gallery, science center.





Data Sheet

Model	G2
Dimensions	500x500x1450mm
N.W.	70 kgs
Screen:	TFT-LCD
Screen Size:	480x272mm
Screen Resolution:	1920x1080 pixels
Max Speed	1 m/s
Max Slope	≤ 5 degree
Rated Power	135 W
Battery Capacity	DC 48V 17.2 Ah
Battery Life	≥ 8 hrs
Standby Current	< 0.5A
Standby Time	≥ 48 hrs
Life Span	10000 hrs
Working Environment	indoor, smooth floor
Environment Temperature	0~45°C

Data Sheet

Type of Charging	Auto/Manual
Time of Charging	6 hrs
Dimensions Of The Charging Set	230x220x290mm
Weight Of The Charging Set	1 kg
Networks	WIFI/4G/Blue tooth
WIFI	802.11b/g/n
Available Colors	Blue/Pink/Purple

Sensors

LIDAR	Y
SLAM	Y
Machine Vision	Y
Deep Visual Recognition	Y
Sonar Sensor	Y
Infrared Sensor	Y
Contact Sensor	Y

IMPORTANT NOTICE:

This spec sheet is meant for commercial purpose only. Specifications are subject to change without notice.

Keenon Robotics Co., Ltd.

11/F, Bldg 56, No. 1000, Jinhai Rd., PD, Shanghai, China 201206

TEL: +86 21 8027 0547

www.KeenonRobot.com

pr@keenonrobot.com

